

# MEAT AND BACON PRESSES 6+



## Meat and Bacon Presses

The standard 6+ Hydraulic operated press is designed for manual operation and includes a powerful hydraulic but gentle pressing system which secures the perfect compression of products. Danfotech 6+ presses bellies using a die set in shapes that correspond to the desired finished products.

The frozen meat or bellies is molded in the hydraulic operated press where it is exposed to a 3-dimensional pressure to attain uniform shape and quality for maximizing slicing yields. The 6+ can be delivered with a wide selection of easy interchangeable, snap-in die-sets available for a wide range of applications.

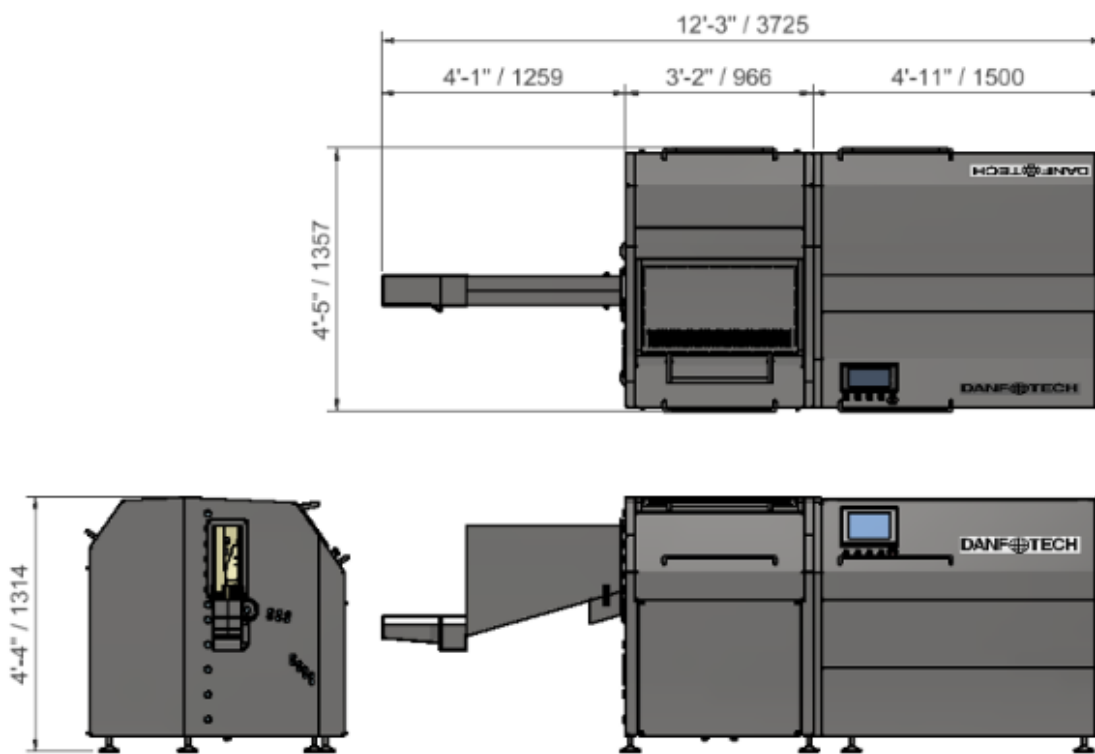
The 6+ Press offers automatic infeed and discharge options with various auxiliary system. Automatic conveyors, with custom length, load, and discharge. Can be integrated with existing production lines.

## 6+ in Numbers

- Up to 6 cycles per minute.
- Press available with optional in-feed conveyor and with a manual loading function.
- Press chamber length  
790 mm x 406 mm x 120 mm (31"x16"x4,7")
- Quick toolless die change in less than 5-7 min.
- 380V-460V x 3 phase 50Hz or 60 Hz'.
- 63 Amps.

## 6+ Features

- The powerful but gentle pressing System, hydraulic operated.
- Largest & longest press chamber of any similar press in the industry.
- Press Controls for customized compression control, wrinkle reduction, optimal shape, and maximum yields.
- 3 Directional pressing for better shape and yield opportunity.
- Electrical cabinet, mounted on the unit.
- Allen Bradley PanelView touch screen controls with visual troubleshooting assistance.
- Maintenance check list with sign-off installed.
- USDA Accepted and CE approved.



**Danfotech produces, installs, and services a wide range of machinery and specialized equipment for the food processing industry: bacon presses, defrosting lines, massaging tumblers, ham production lines, tenderizers, and loading/unloading systems built around cook tanks or ovens.**

**Additionally, Danfotech also delivers column lifts for Vemag trolleys and plastic tubs, as well as swing loaders for plastic tubs and trolleys.**