

# MEAT AND BACON PRESSES 8-35



## Meat and Bacon Presses 8-35

The standard 8-35 Hydraulic operated press is designed for manual operation and includes a powerful hydraulic but gentle pressing system which secures the perfect compression of products. The Danfotech 8-35 presses bellies by means of a die-set, in shapes that correspond to the desired finished products.

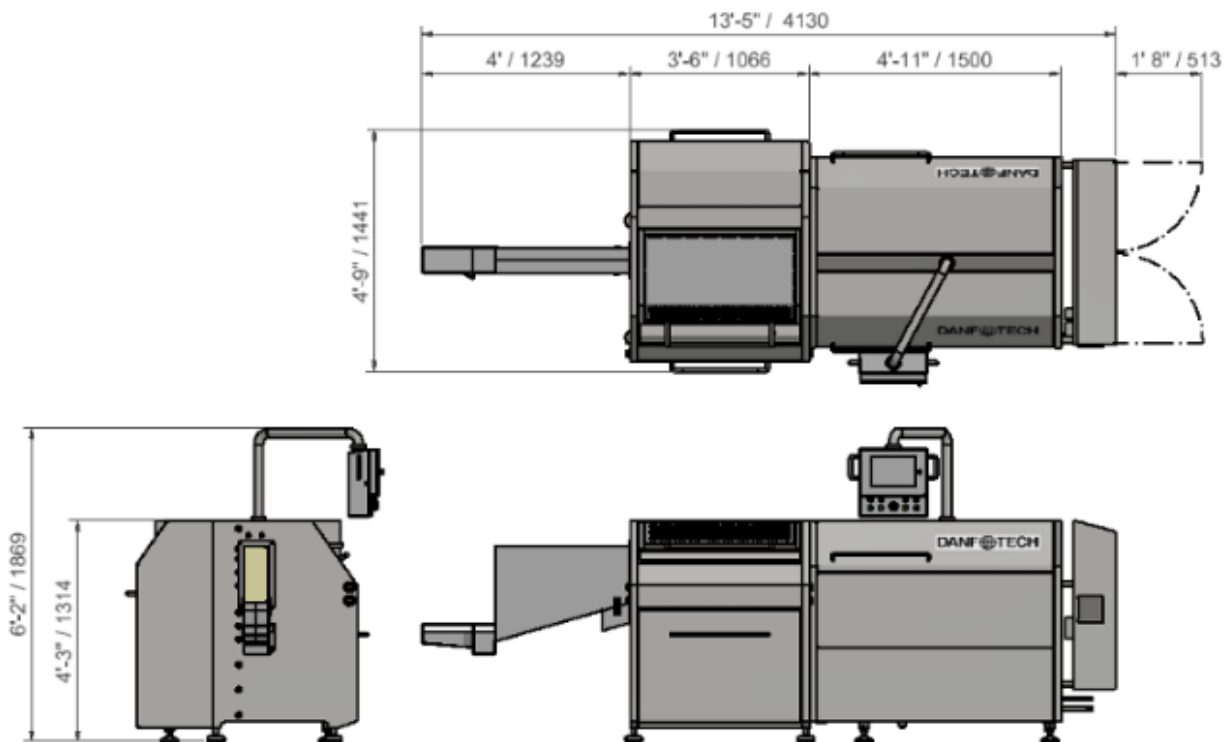
The frozen meat or bellies are molded in the hydraulic operated press where they are exposed to a 3-dimensional pressure to attain uniform shape and quality for maximizing slicing yields. The 8-35 can be delivered with a wide selection of easy interchangeable, snap-in die-sets available for a wide range of applications. Bacon, various meats, plus a variation for “Loose Meat – Logs” production for Philly Cheese steaks. The 8-35 Press offers automatic infeed and discharge options with various auxiliary system. Automatic conveyors, with custom length, load, and discharge can be integrated with existing production lines.

## 8-35 in Numbers

- Up to 8 cycles per minute.
- Press available with optional in-feed conveyor and with a manual loading function.
- Press chamber length  
889 mm x 406 mm x 120 mm (35”x16”x4,7”).
- Quick toolless die change in less than 5-7min.
- 380V-460V x 3 phase 50Hz or 60 Hz.
- 63 Amps.
- Air pressure @ 100PSI or 7 bar.

## 8-35 Features

- The Powerful but gentle pressing System, Hydraulic operated.
- Largest & longest press chamber of any press in the industry.
- Press Controls for customized compression control, wrinkle reduction, optimal shape, and maximum yields.
- 3 Directional pressing for better shape and yield opportunity.
- Left and Right outfeed available.
- Electrical cabinet, mounted on the unit.
- Allen Bradley PanelView touch screen controls with visual troubleshooting assistance.
- Maintenance check list with sign-off installed.
- USDA Accepted and CE approved.



Danfotech produces, installs, and services a wide range of machinery and specialized equipment for the food processing industry: bacon presses, defrosting lines, massaging tumblers, ham production lines, tenderizers, and loading/unloading systems built around cook tanks or ovens.

Additionally, Danfotech also delivers column lifts for Vemag trolleys and plastic tubs, as well as swing loaders for plastic tubs and trolleys.