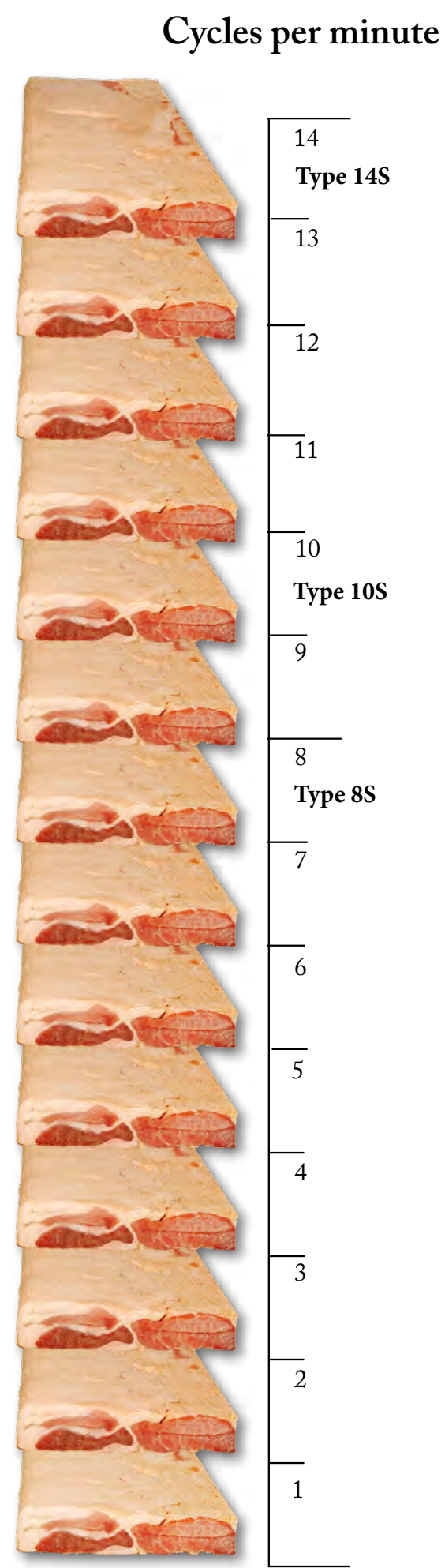


Maximize your yield and shape your bottom line with the new Shapetec™ servo presses from Danfotech



For inquiries on our entire Danfotech equipment line please contact:

Europe
Soren Rasmusen
srasmusen@danfotech.com
+45 98 16 55 00
+45 40 85 44 45

Asia/China
Xiaobing Feng
xfeng@middleby.com
(773) 865-7143 (USA)
+86 18500219083 (China)

United States
Jim Gaydusek
jgaydusek@cozzini.com
(773)897-6913
(773)727-7535

Russia
Maxim Varyushkin
mvaryushkin@middleby.com
(773)897-6913
(773)727-7535

Mexico/Latin America
Juan Nava
jnava@middleby.com
(52) 1 81 1277 6274

Middle East & Africa
Amr Jammaly
ajammaly@middleby.com
+971 4 3333 476
+971 567673942

Brazil
Jairo Brandão
jbrandao@middleby.com.br
+55-11-3321-5858

www.danfotech.com



Introducing at IFFA 2019

The New Benchmark in Advanced Form Pressing



SHAPETEC™ 4-AXIS PRESSING ACTION



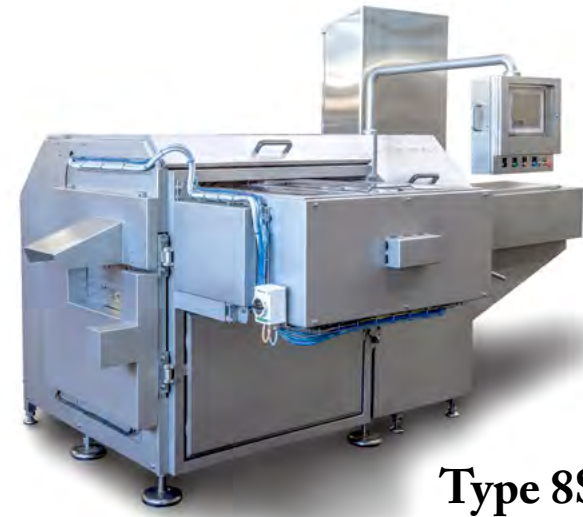
- Bacon
- Meat
- Case Ready



Danfotech is proud to introduce our new line of Shapetec™ servo presses, including the Type 10S and 14S, the only 4-direction (4D) servo presses in the world.

All servo means:

- Lower operating costs
- Reduced energy consumption
- Higher efficiency
- No hydraulic leaks
- Less downtime for maintenance



Type 8S



Type 10S

Type 14S



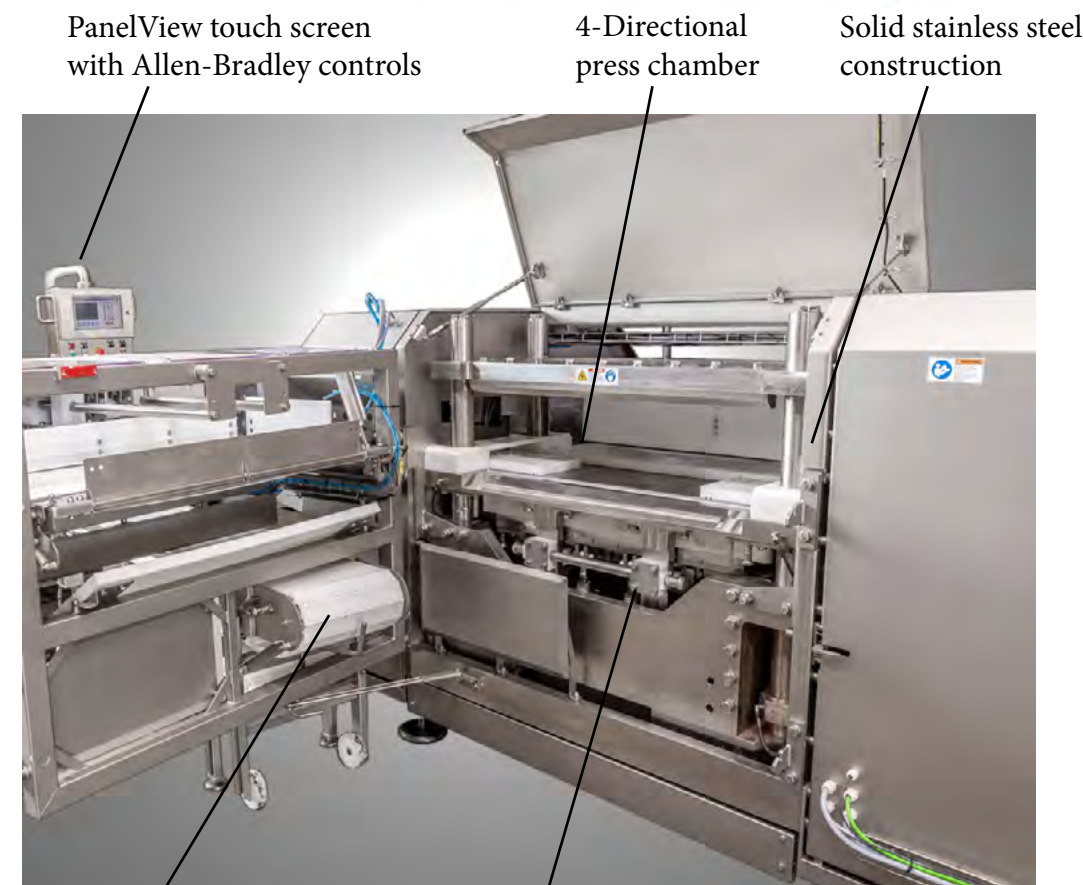
What makes Danfotech Shapetec™ presses the right choice for your pressed meat or bacon applications?

- For streaky or back bacon, case ready, and pressed meat products
- 4D four-axis pressing for highest yield (10S & 14S models)
- All servo operated, reduced energy costs versus hydraulics
- No water cooling required or risk of hydraulic leak contamination.
- Change diesets in 5 minutes without tools
- Automated flexible slice height up to 20 mm (3/4")
- PanelView touch screen with visual troubleshooting assistance
- Remote online troubleshooting
- Reduced parts usage and free quarterly inspections for 1st year



Type 14S shown

Remote electrical cabinet to prevent water contamination



PanelView touch screen with Allen-Bradley controls

4-Directional press chamber

Solid stainless steel construction

Outfeed conveyor

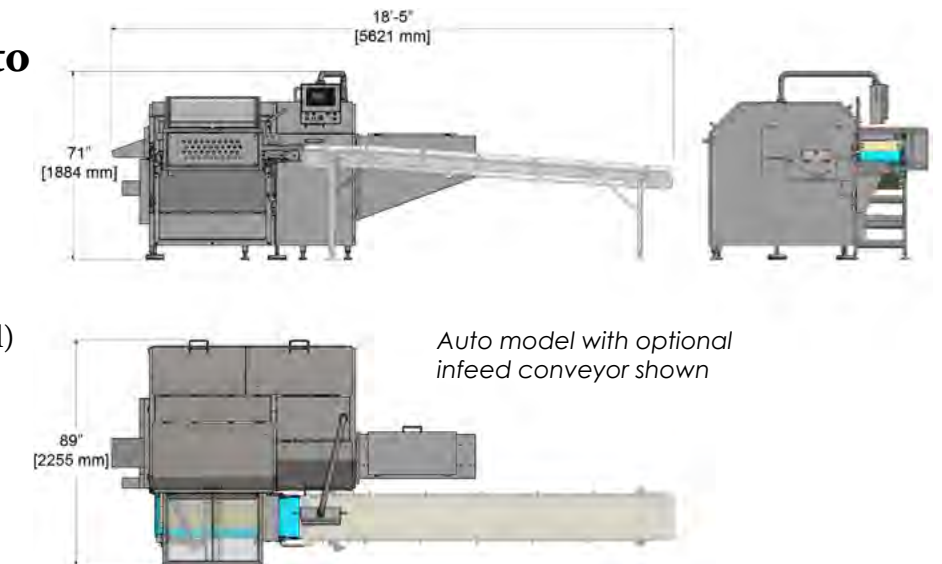
Complete access for sanitation



Find the right Danfotech Servo Press for your production needs at Hall 8, Stand E06

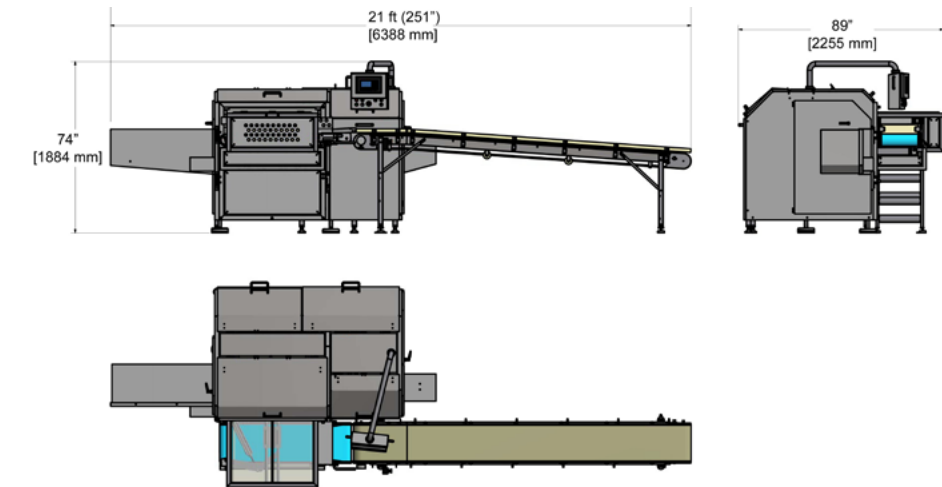
Type 8S - Manual or Auto

- Maximum die chamber size: 35" x 16" x 4.7" 889 x 406 x 120 mm
- 6-8 cycles/min. press capacity.
- 3-directional pressing
- Infeed conveyor available (optional)



Type 10S - Auto

- Maximum die chamber size: 35" x 16" x 4.7" 889 x 406 x 120 mm
- 8-10 cycles/min. press capacity
- 4-directional pressing
- Infeed conveyor included



Type 14S - Auto

- Maximum die chamber size: 40" x 16" x 4.7" 1016 x 406 x 120 mm
- 12-16 cycles/min. press capacity
- 4-directional pressing
- Infeed conveyor included

